

eIC5154

IN-CEILING LOUDSPEAKERS

EN 54-24 Certified Loudspeaker



PRODUCT OVERVIEW

ECLER eIC5154 is a cost-effective in-ceiling loudspeaker that features a design which conforms to EN54-24 standard (Fire detection and fire alarm systems, Voice alarms - Loudspeakers). It performs a 5" woofer.

KEY FEATURES

- Power selector @ 100V 6/3/1,5/0,75/0,38 W
- 5" woofer
- EN 54-24:2008 certified

APPLICATIONS

- Corporate and residential buildings
- Commercial premises
- Leisure centres
- Health and sports centres
- Meeting and conference rooms
- Auditoriums, museums

CERTIFICATIONS

- EN 54-24:2008

IMPORTANT NOTE

Congratulations! You are the owner of a carefully designed and manufactured piece of equipment. We thank you for trusting in us and choosing our eIC5154 EN 54-24 certified loudspeaker. In order to get the optimum operation and efficiency from this unit, it is VERY IMPORTANT - before you plug anything in - to read this document very carefully and bear in mind all considerations specified within. We strongly recommend that maintenance be carried out by our Authorized Technical services. Keep this document for future references.

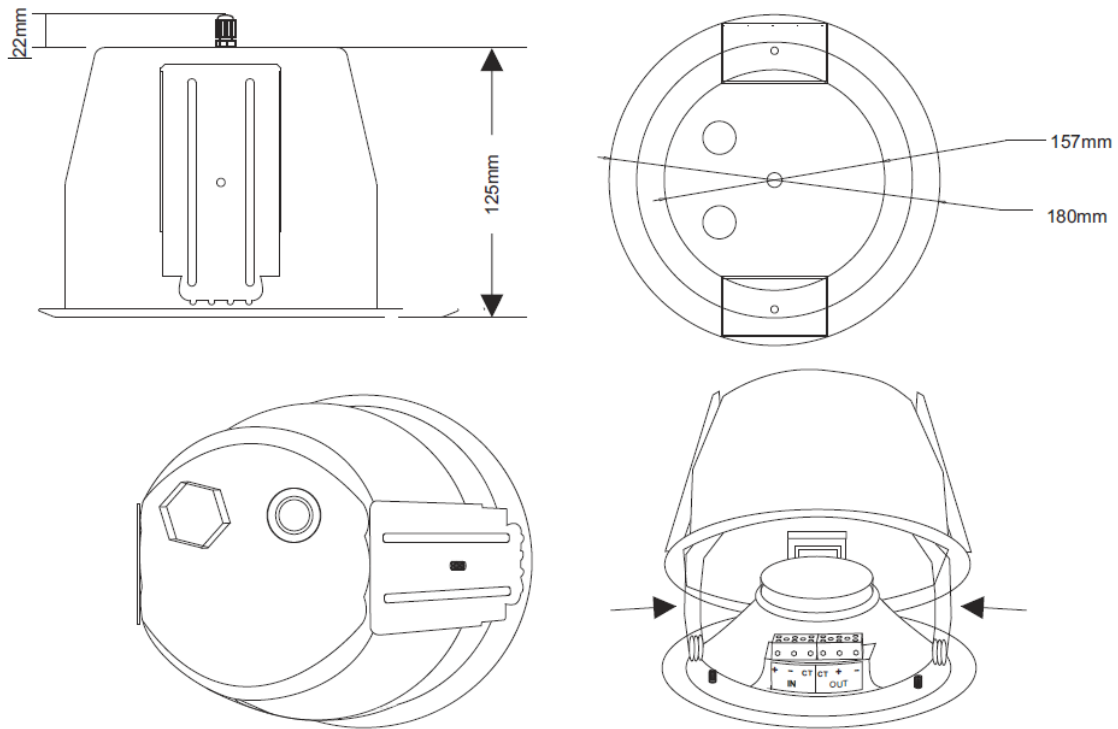
PRECAUTIONS

- Never use this unit in proximity to water or fire
- Do not expose the unit to water splashing
- Avoid placing the unit next to heat sources such as spotlights or heaters
- The use of high voltage may cause electric shock or fire, take safety precautions and use appropriate equipment when installing the device
- Install the device following manufacturer's indications. An incorrect installation may lead the device to fall down, causing a personal injury or property damage
- The device must be installed in solid surface
- Do not manipulate the device with wet hands
- Do not pull the wires of an electric installation, it may cause fire or an electric shock
- Do not remove the device when it is connected to the electric installation. Before it, unplug the loudspeaker
- Do not install the device on vent covers

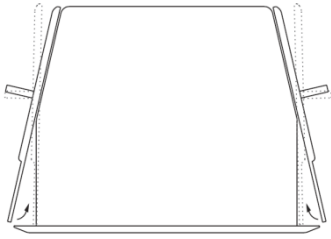
TECHNICAL DATA

Power selector @ 100V	6/3/1,5/0,75/0,38 W
Power selector @ 70V	3/1,5/0,75/0,38/0,19 W
Frequency response (-10 dB)	130Hz – 18kHz
Sensitivity 1W/1m	92 dB
Cutout size	Φ 158 mm
Dimensions	180x157 mm
Weight	1.2 kg

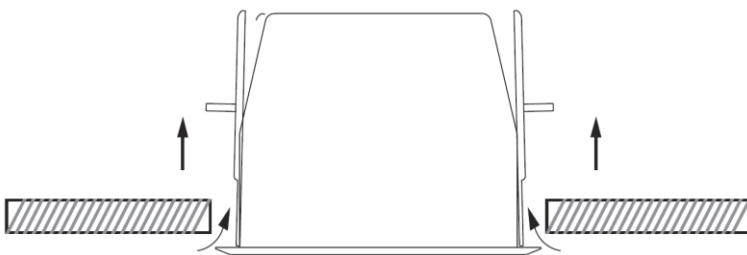
MECHANICAL DIAGRAMS



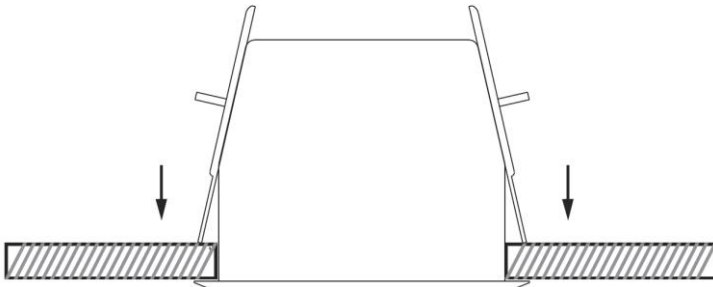
INSTALLATION



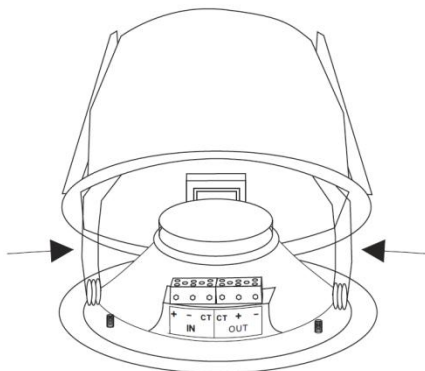
Step 1: measure the mounting hole. It must be as the cutout size of the device. Pass the cable through the cable gland.



Step 2: loose the metal plates and rise them up to the top. Insert the back can into the mounting hole.



Step 3: slide down the metal plates until they reach the surface. Tight the fasteners inside the back can.



Step 4: connect the audio cable to the loudspeaker's terminal block. Finally, insert the mounting springs into the hooks and push the loudspeaker into the back can.